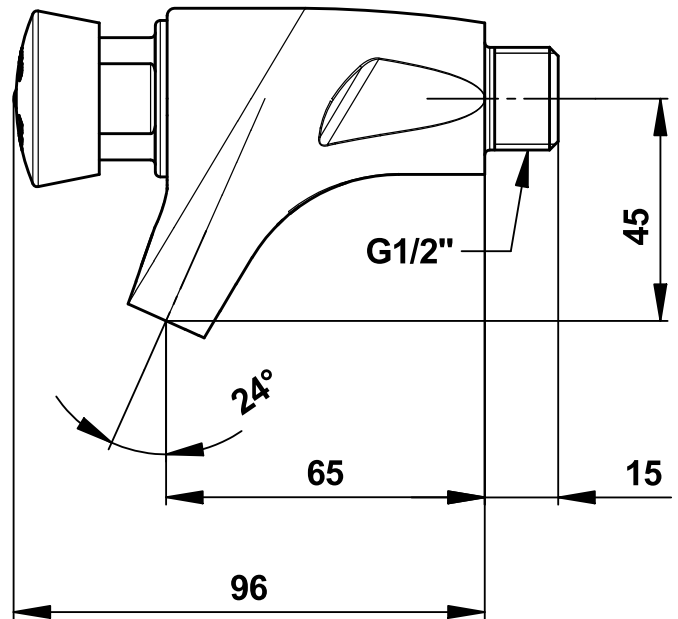


TECHNICAL DATA SHEET

PRESTO®

Range : Single wall-mounted tap

Ref : 63100 - PRESTO 504 S anti-blocking



> **Working pressure :**

- 1 to 5 bar

> **Flow :**

- 3 l/min at 3 bar - 4-positions flow adjustment device
- Anti-water-hammering design
- Vandalism proof and anti-clogging spout

> **Flow time :**

- 15 seconds (± 5 sec.)

> **Hydraulic supply :**

- M G 3/8" (12x17) - Premixed water

> **Thermal resistance :**

- Resistant to a temperature of 75°C for 30-minute-thermal-shocks

> **Security :**

- Interchangeable head and non-turnable push-button
- Non-removable, wear-proof coloured marker
- Patented anti-blocking "S" system to avoid the water to flow continuously

> **Delivered with :**

- Instruction manual

> **Standards & approvals :**

- Brass body in accordance with EN 1982, EN 12164, EN 12156
- Molded chrome-plated body in accordance with EN 12540
- 200-hour neutral salt spray resistant (NSS) in accordance with ISO 9227



This document is not contractual. We reserve the right to modify the characteristics of our products without notice in advance. All our brands and models are registered trademarks.